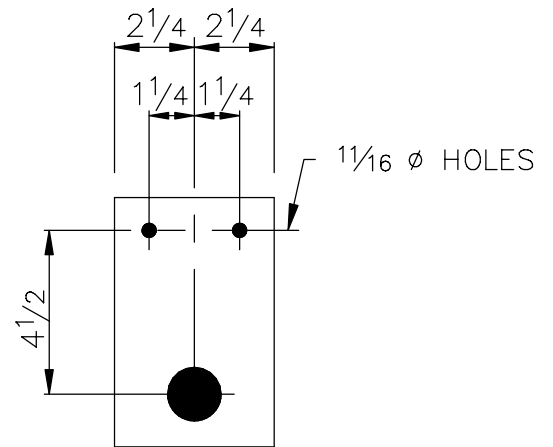
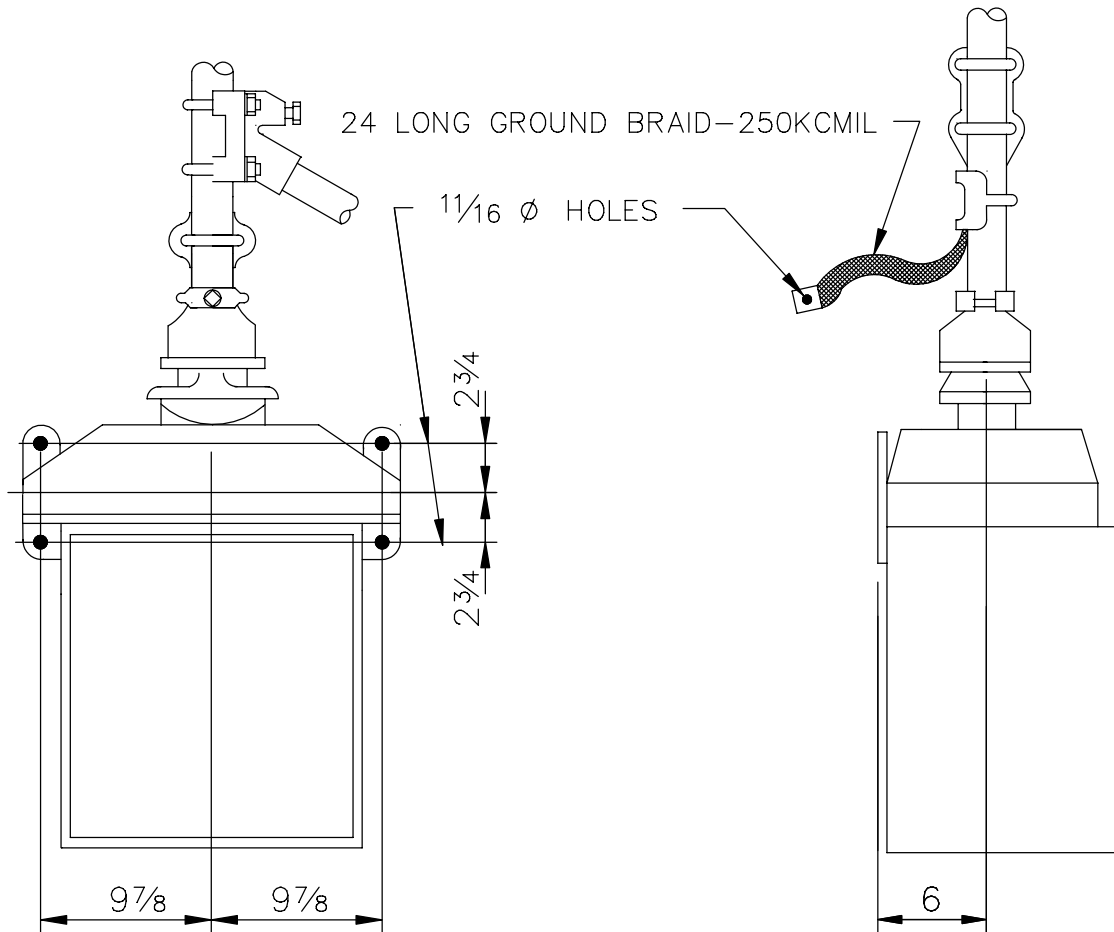


STEEL PLATE - 8 X 3/8 X 8 1/2  
OUTBOARD BRG. PLATE  
PLAN VIEW



STEEL PLATE - 4 1/2 X 1/4 X 7 3/4  
PIPE GUIDE  
PLAN VIEW



FRONT ELEVATION

SIDE ELEVATION

NOTE: FOR USE IN SPECIFYING HOLE LOCATIONS IN STRUCTURES.  
 ALL DIMENSIONS ARE IN INCHES.